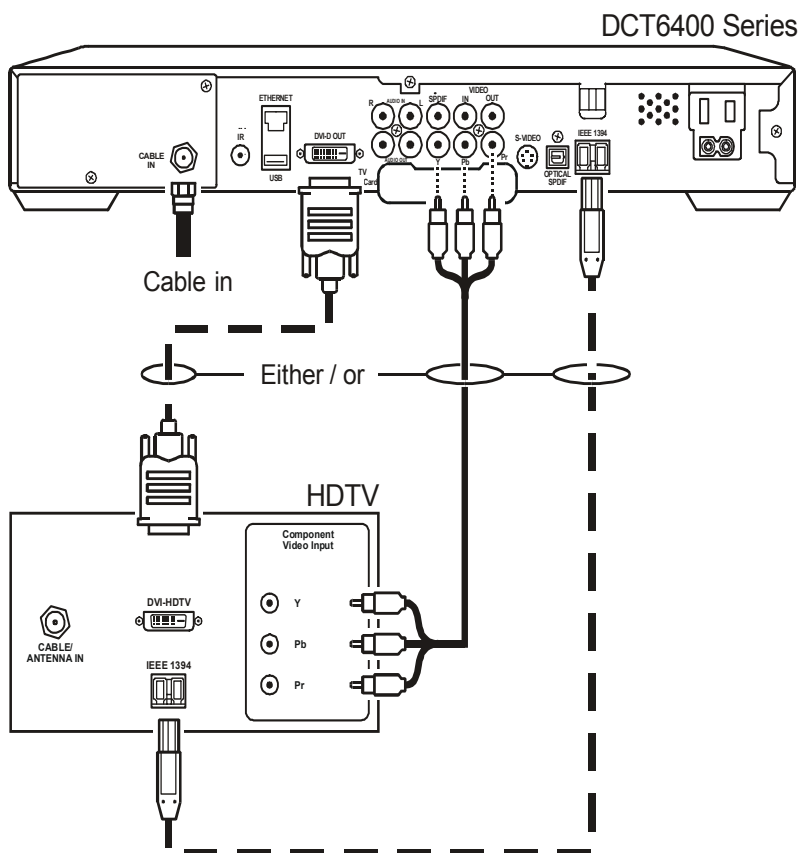
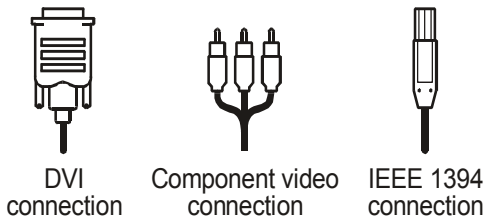


CONNECTING YOUR DCT* TO A HDTV – VIDEO ONLY



CONNECTING YOUR DCT* TO A HDTV – AUDIO ONLY



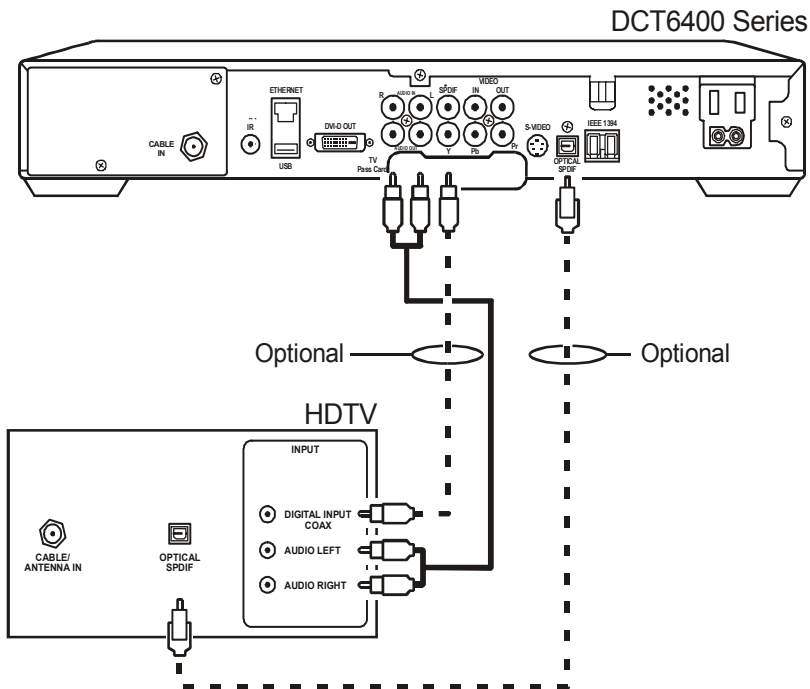
Audio connection



Optical connection



Digital audio connection



CONNECTING YOUR DCT* TO AN A/V RECEIVER – AUDIO ONLY



Audio connection

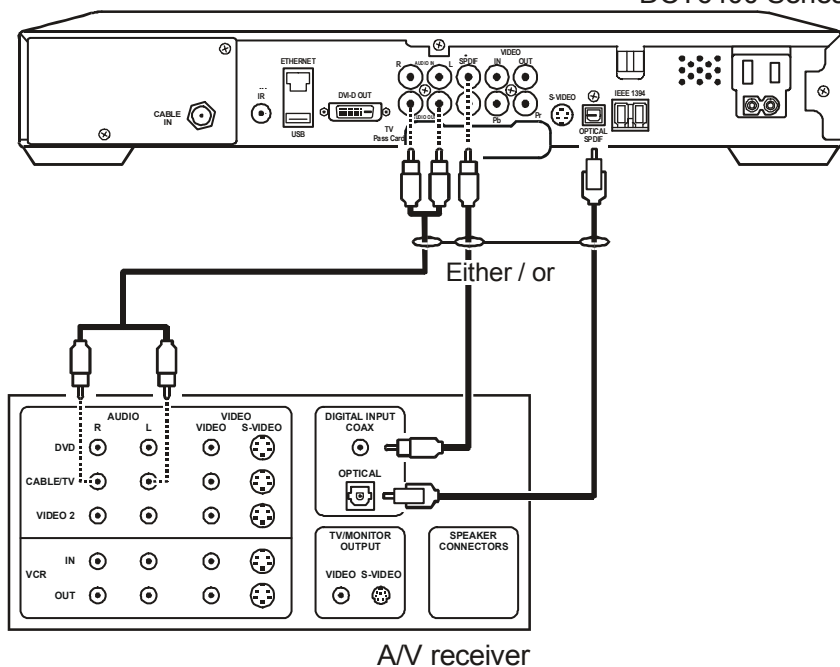


Digital audio connection




Optical connection

DCT6400 Series




CONNECTING YOUR DCT* TO A STEREO TV



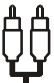
RF (75 ohm)
connection



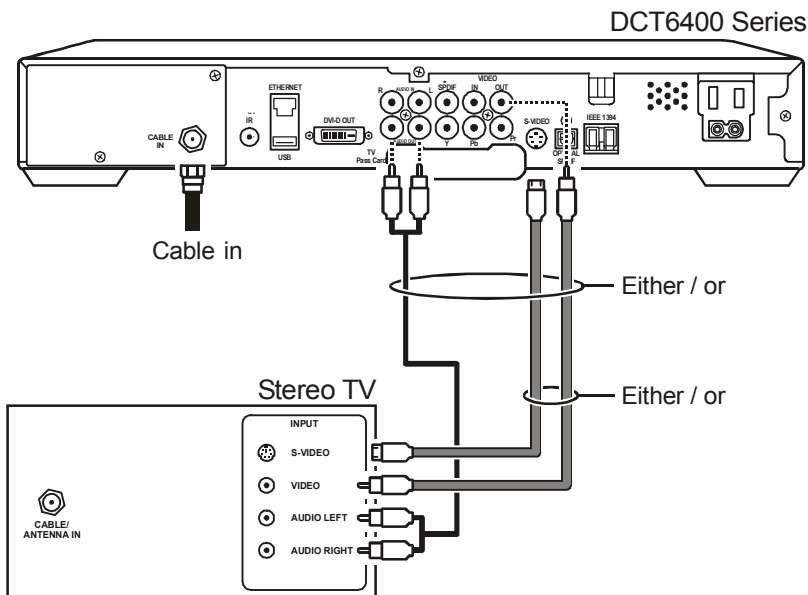
S-Video
connection



Video
connection



Audio
connection



CONNECTING YOUR DCT* TO A STEREO TV AND STEREO VCR



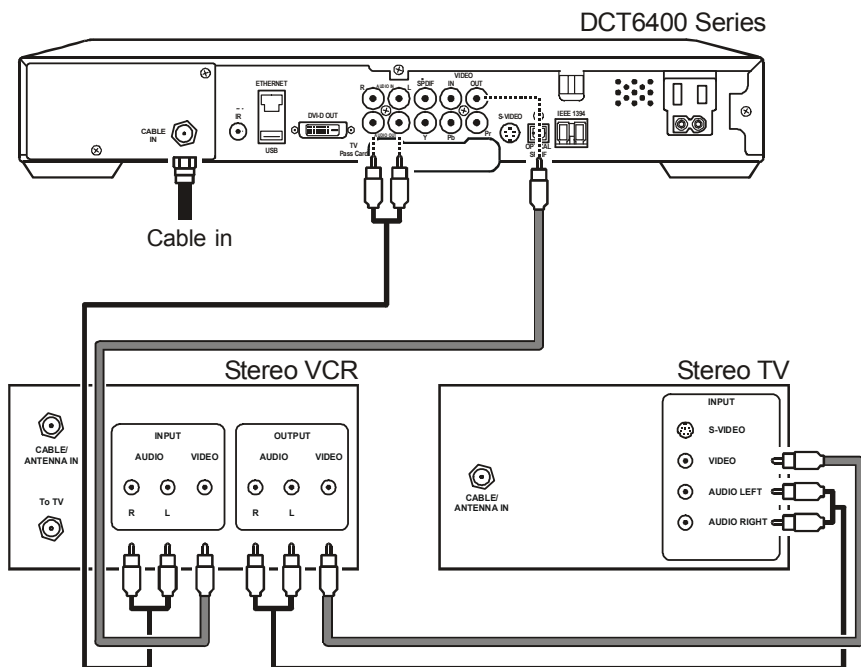
RF (75 ohm)
connection



Video
connection

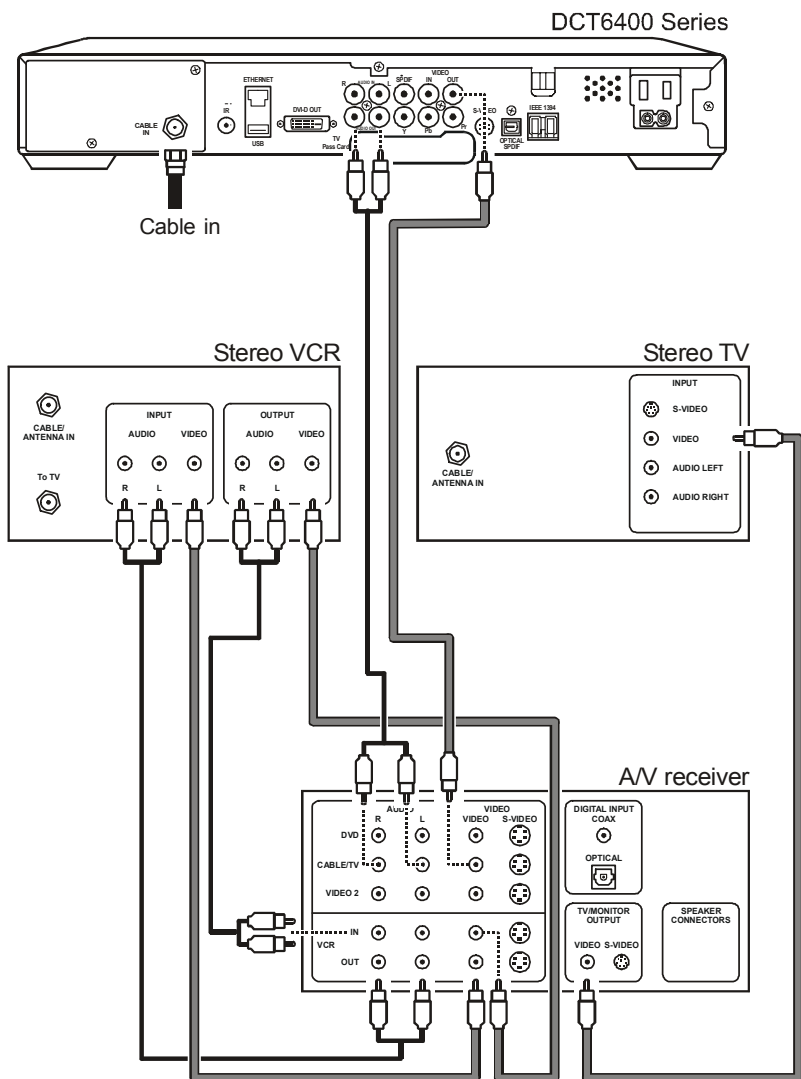


Audio
connection



CONNECTING YOUR DCT* TO AN A/V RECEIVER, TV, AND VCR

- 
 RF (75 ohm)
 connection
- 
 Video
 connection
- 
 Audio
 connection
- 
 Digital audio
 connection
- 
 Optical
 connection

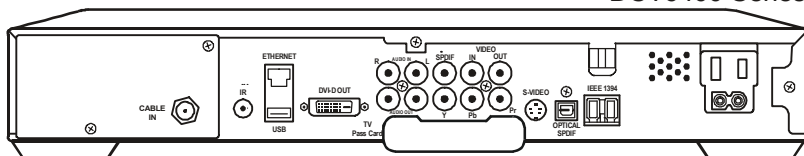


RECORDING YOUR CONNECTIONS

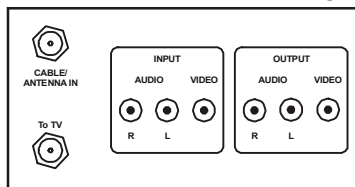
Use this diagram to record connections between your home entertainment components. You can use this diagram to reconnect your system if you move the equipment or add new equipment.

Disconnect the power from the DCT* before connecting or changing cable connections. Do not place another component or object on top of the DCT*.

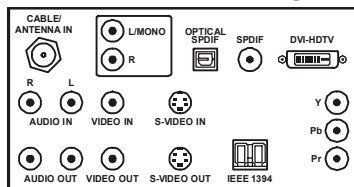
DCT6400 Series



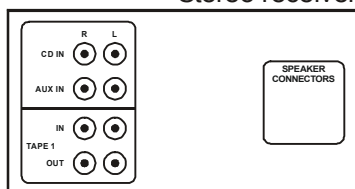
VCR



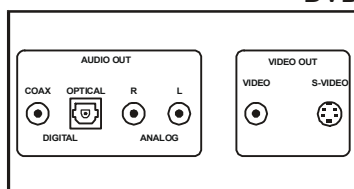
HDTV / SDTV



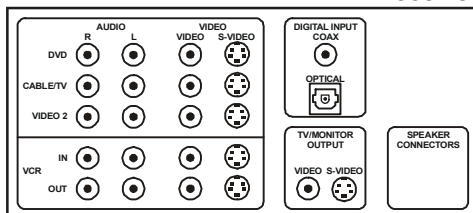
Stereo receiver



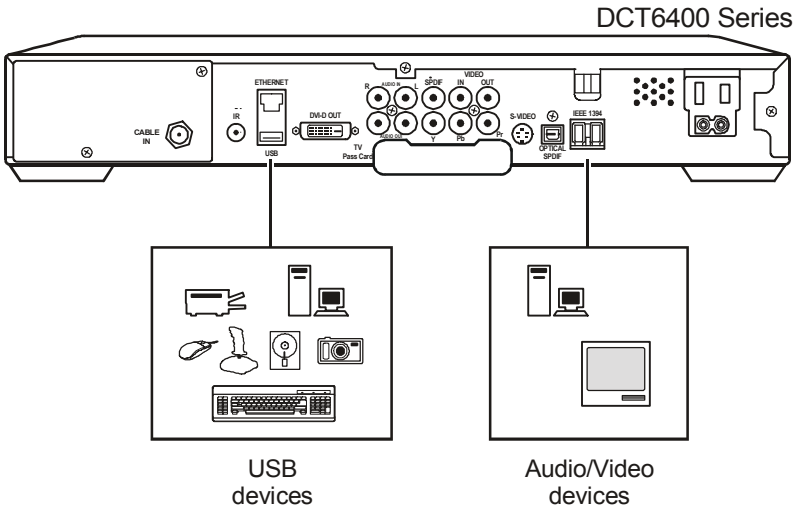
DVD



A/V receiver



DATA DEVICES



Do not attempt to connect data devices without contacting your service provider. Advanced data features require the proper application and network infrastructure to operate.

Data Features

In addition to high quality audio and video, the DCT* has the capability to deliver high-speed data services such as Internet access, e-mail, IP Telephony, E-Commerce, and home banking.

Your DCT* may be equipped with the interface connections illustrated, but their functionality depends on the services offered by your service provider.